

Adder V² LRF 35-640

30MM TUBE THERMAL IMAGING RIFLE SCOPES

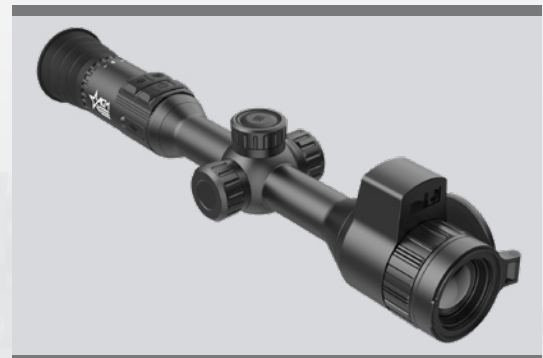
The AGM AdderV2 LRF is the next step in the evolutionary process in the AGM thermal riflescope lineup. Based off the ever-popular original 30mm AGM thermal scopes, the Adders, the V2's will improve upon its predecessor in a number of ways, many of which come directly from our loyal customers.

The New AdderV2 LRF 35-640's primary goal was to assimilate a feature which many electro-optics veterans end up looking at as a necessity, which is a fully integrated 1000yd laser rangefinder. And although the majority of units in the AdderV2 family will come with an integrated LRF and ballistic calculator, the AdderV2 35-640 will come equipped with the lowest base magnification and widest field of view of the entire bunch. Coming in at 2.5X, the 35-640 sits right in the sweet spot for hunters that find themselves appreciating the wider field of view when hunting large groups of feral hogs, but still has enough base magnification to make hunting predators in wide open fields comfortable as well.

Although the new internal LRF module is one of the major improvements in the new AdderV2's, its certainly not the only one. Not to be outdone, the new 640x512/12 micron sensor comes in at an industry-leading sub-15mk sensitivity. And we didn't just pair that new sensor with a common 1024 display, we've paired it with an intricate new 2560x2560 micro display and a new shutterless nuc. This display not only provides users with unrivaled image quality, but also with the new semi-circular internal user interface. This new interface will still comfortably provide shooters with the most crucial information, such as battery life, magnification level, range, time and vertical/horizontal pitch scale readout. This unit also allows users to switch from full step zoom to 0.5X incremental zoom adjustments as well, so there's no wasted sections of the magnification range. Other improvements include: new red & green monochrome color palettes, 64GB of internal storage capacity, 1000g recoil resistance, a fully integrated on board ballistic calculator, pitch scale activation, media albums which can be viewed on the device (not just your phone), internal 9hr rechargeable battery, cold & warm hue viewing modes, and more. And like the original Adder series scopes, the AdderV2's will come with a field-proven American-made ADM one-piece Recon 30mm mount (\$220 value) included. AGM – Vision Without Limits.

- 640x512 thermal resolution
- 12µm high-sensitivity detector
- Built-in 1000m laser rangefinder and ballistic calculator
- 0.5x step of continuous zooming
- On-board video and audio recording
- Shot Activated Recording (SAR)
- Wi-Fi data transmission
- Fast 64GB EMMC built-in storage
- Various reticle types and colors
- Standby mode
- Waterproof & shockproof
- Dual power system
- Up to 9 hours continuous working
- 5-year warranty

Equipment described herein is subject to US export regulations and may require a license prior to export. Diversion contrary to US law is prohibited.



SPECIFICATIONS

Image Sensor	VOx Uncooled Focal Plane Arrays
Resolution	640 × 512
Frame Rate	50 Hz
Pixel Interval	12 μm
Response Waveband	8 μm to 14 μm
NETD	Less than 15 mK (@25°C, F# = 1.0)
Focal Length	35 mm, F1.0
Focus Mode	Focus Ring
Detection Range	1800 m
Min. Focusing Distance	3 m
Magnification	2.5× – 24× Support 0.5× step value of continuous zooming
Field of View(H × V), Degrees / m @100m	12.5° × 10.0°/ 21.9 m × 17.5 m
Display	2560x2560, 1.03 inch OLED
FFC (Flat Field Correction) Mode	Semi-Auto, Manual
Palettes	Black Hot, White Hot, Red Hot, Fusion, Red Monochrome, Green Monochrome
Exit Pupil	6 mm
Eye Relief	45 mm
Diopter (Range)	-4D to 4D
Brightness Adjustment	Yes
Tone Adjustment	Cold, Warm
Contrast Adjustment	Yes
Image Boost 2.0	Yes
Zoom Pro	Yes
Shutterless	Yes
Record Video	On-board Video Recording
Capture Snapshot	Yes
Audio Recording	Yes
Recoil-activation Recording	Yes
Storage	Built-in EMMC (64 GB)
PIP	Yes
Hotspot	Yes
Hot Track	Yes
Distance Measurement	Yes
Zeroing Profiles	5
Max. Recoil	1000 g/0.4 ms
Freeze Zeroing	Yes
Standby Mode	Yes
Ballistic Calculation	Yes
Local Album	Yes
Battery Type	Two rechargeable Lithium batteries (internal), one replaceable and rechargeable 18650 battery (external)
Battery Operating Time	9 hours continuous running (@25°C, LRF on)
Type-C Power Supply	5 V DC/2 A, USB Type-C interface, Supports QC3.0 (* Only the built-in battery will be charged via the type-C cable. Use the battery charger to charge the external battery)
Mounting	Standard 30 mm
Dimension	420 × 88 × 88 mm (16.5 × 3.4 × 3.4 in)
Weight	0.83 kg (1.83 lb)
Working Temperature	-30 °C to 55 °C (-22 °F to 131°F)
Protection Level	IP67
LRF Module in Lens	No
Wavelength	905 nm
Safety Class for Laser	Class 1
Max. Measuring Range	1000 m
Measurement Accuracy	±1 m
Min. Measuring Range	10 m

Specifications are subject to change without notice.
Images are for illustration purposes only.



MAIN OFFICE | 173 West Main Street | PO Box 962 | Springerville, AZ 85938, USA
Tel. +1.928.333.4300 | info@agmglobalvision.com | www.agmglobalvision.com

EUROPEAN OFFICE | #6 Andrey Lyapchev Blvd | Sofia, P.C. 1756 | Bulgaria
Tel. +35.988.560.0326 | info@agmglobalvision.eu | www.agmglobalvision.eu

www.agmglobalvision.com