

# ADDER V<sup>2</sup> 35-384

## 30MM TUBE THERMAL IMAGING RIFLE SCOPES

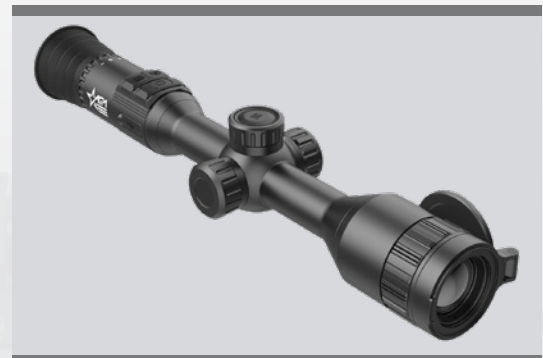
The AGM AdderV2 is the next step in the evolutionary process in the AGM thermal riflescope lineup. Based off the ever-popular original 30 mm AGM thermal scopes, the Adders, the V2's will improve upon its predecessor in a number of ways, many of which come directly from our loyal customers.

The New AdderV2 35-384 is a supercharged version of the tried-and-true original Adder 35-384. Not only does it offer an incredible sensor upgrade, from sub-35mk to sub-15mk, but its also utilizes AGM's first shutterless nuc system. Along with the new thermal sensor, the new micro display gets quite the upgrade as well. The original Adder 35-384 incorporated a 1024x768 display, which is now dramatically improved upon with its new 2560x2560 display, offering hunter's a firsthand look at AGM's first ever semi-circular display. It also raises the base magnification from the original model (2.5X) to a more robust 4X. What this means is, a slightly narrower field of view is traded out for crisper images at high magnification. Whereas original Adder 35-384 users had to twice cut their resolution in half by the time they had reached 10X, the new V2 will get you all the way to 16X before doing the same.

Typically, a dramatically better image provided by upgraded thermal sensor and displays is enough, it only scratches the surface with all the new improvements that the AdderV2 offers. These include: new red & green monochrome color palettes, 64GB of internal storage capacity, 1000g recoil resistance, display off tilt sensor, media albums which can be viewed on the device (not just your phone), internal 9hr rechargeable battery, a single removable 18650 rechargeable, cold & warm hue viewing modes, and more. And like the original Adder series scopes, the AdderV2's will come with a field-proven American-made ADM one-piece Recon 30mm mount (\$220 value) included. AGM – Vision Without Limits.

- 384x288 thermal resolution
- 12µm high-sensitivity sub-15mK detector
- Shutterless technology
- 0.5x step of continuous zooming
- On-board video and audio recording
- Shot Activated Recording (SAR)
- Wi-Fi data transmission
- Fast 64GB EMMC built-in storage
- Various reticle types and colors
- Standby mode
- Waterproof & shockproof
- Dual power system
- Up to 9 hours continuous working
- 5-year warranty

Equipment described herein is subject to US export regulations and may require a license prior to export. Diversion contrary to US law is prohibited.



## SPECIFICATIONS

Image Sensor	VOx Uncooled Focal Plane Arrays
Resolution	384 x 288
Frame Rate	50 Hz
Pixel Interval	12 μm
Response Waveband	8 μm to 14 μm
NETD	Less than 15 mK (@25°C, F# = 1.0)
Focal Length	35 mm, F1.0
Focus Mode	Focus Ring
Detection Range	1800 m
Min. Focusing Distance	3 m
Magnification	4x – 24x (support 0.5X step continuous zooming)
Field of View (H x V)	7.5° x 5.7° ( 13.1m x 10.0m @100m )
Display	2560x2560, 1.03 inch OLED
Shutterless Technology	Yes
FFC (Flat Field Correction) Mode	Semi-Auto, Manual
Palettes	Black Hot, White Hot, Red Hot, Fusion, Red Monochrome, Green Monochrome
Exit Pupil	6 mm
Eye Relief	45 mm
Diopter Adjustment	-4D to 4D
Brightness Adjustment	Yes
Contrast Adjustment	Yes
Sharpnessr Adjustment	Yes
Tone Adjustment	Cold, Warm
Image Boost 2.0	Yes
Zoom Pro	Yes
Record Video	On-board Video Recording
Capture Snapshot	Yes
Audio Recording	Yes
Recoil-activation Recording	Yes
Storage	Built-in EMMC (64 GB)
Local Album	Yes
PIP	Yes
Wi-Fi Hotspot	Yes
Hot Track	Yes
Freeze Zeroing	Yes
Standby Mode	Yes
Battery Type	Two rechargeable Lithium batteries (internal) and one replaceable and rechargeable 18650 Lithium battery (external)
Battery Operating Time	9 hours continuous running (@25°C)
Type-C Power Supply	5 V DC/2 A, USB Type-C interface, Supports QC3.0 (* Only the built-in battery will be charged via the type-C cable. Use the battery charger to charge the external battery.)
Mounting	Standard 30mm rings
Dimension	420 x 88 x 74 mm (16.5 x 3.4 x 2.9 in)
Weight	0.8 kg ( 1.76 lb)
Working Temperature	-30°C to 55°C (-22°F to 131°F)
Protection Level	IP67
Max. Recoil	1000 g/0.4 ms

Specifications are subject to change without notice.  
Images are for illustration purposes only.



MAIN OFFICE | 173 West Main Street | PO Box 962 | Springerville, AZ 85938, USA  
Tel. +1.928.333.4300 | info@agmglobalvision.com | www.agmglobalvision.com

EUROPEAN OFFICE | #6 Andrey Lyapchev Blvd | Sofia, P.C. 1756 | Bulgaria  
Tel. +35.988.560.0326 | info@agmglobalvision.eu | www.agmglobalvision.eu

[www.agmglobalvision.com](http://www.agmglobalvision.com)